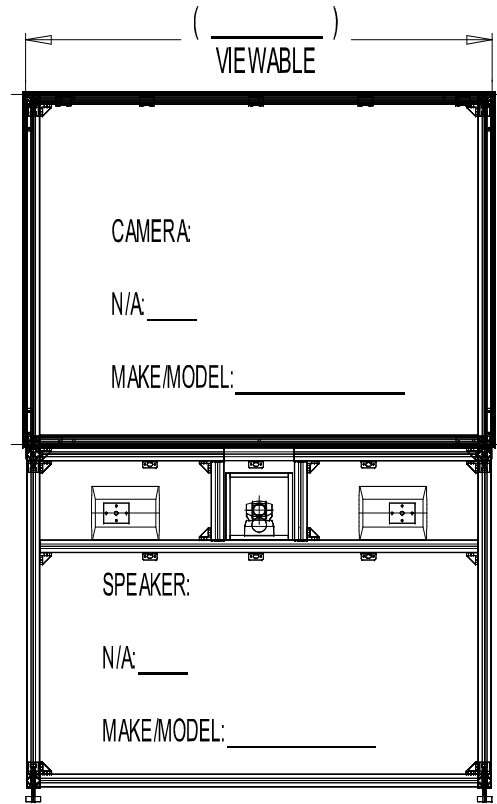
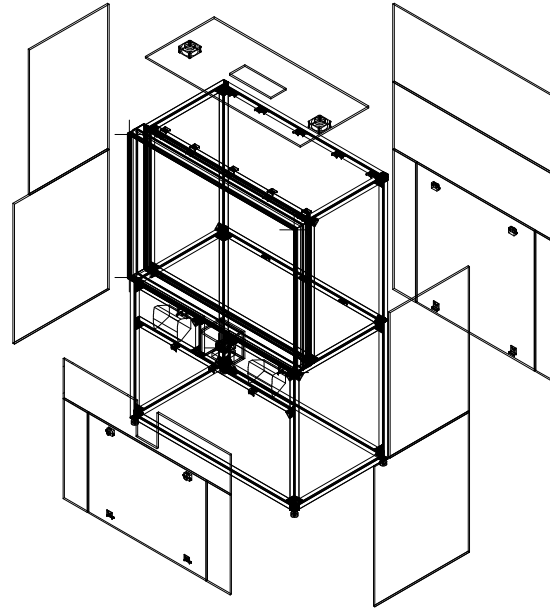
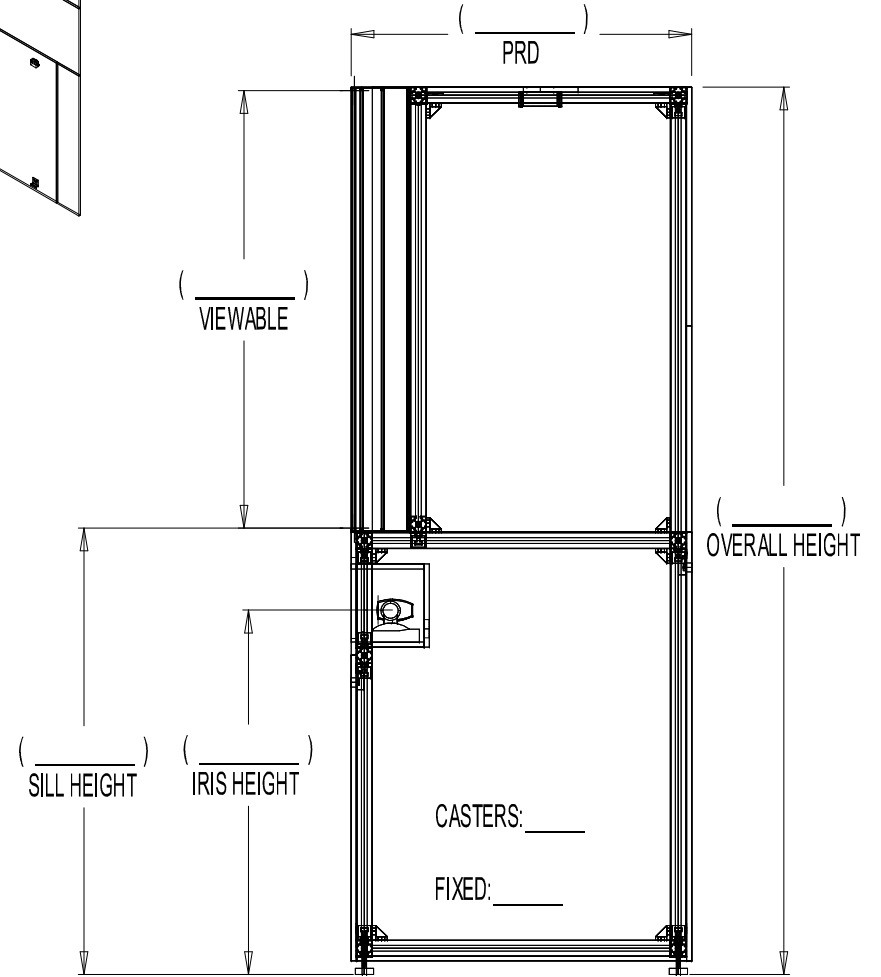


RSE-FEAS REQUEST

CUSTOMER: _____
 PROJECT: _____
 PROJECTOR MAKE: _____
 MODEL: _____
 LENS: _____
 4:3: _____
 16:9: _____



ELEVATION (FRONT) VIEW



SECTION (SIDE) VIEW

PANELS:

CDS: _____ PBO: _____

THICKNESS: _____

FINISH: _____

SCREEN FRAME:

LOW PRO: _____ (RECOMMENDED)

PIX: _____

CDS INC.
 2926 W. PENDLETON AVE., SANTA ANA, CA 92704
 (714) 540-5220 Phone (714) 540-5221 Fax

SALES REP: _____ DATE: _____ REQ. DATE: _____

NOTES:

